



# AMERICAN RIFLE COMPANY

We engineer accuracy.

## MAUSINGFIELD®



Boasting interchangeable bolt heads perfectly suited for multi-caliber rifles, an interlocking scope mount, a Mauser extractor and a Springfield ejector, American Rifle Company's Mausingfield action is a unique fusion of modern design and battle-proven features from bolt actions past.

The Mausingfield is compatible with aftermarket components designed for use with the Remington Model 700, such as triggers, trigger guards, magazines, stocks and chassis.

And as if that's not enough, the Mausingfield is also compatible with Savage barrels and lock nuts, enabling you to install off-the-shelf turnkey barrels without the need for expensive equipment or custom machining.

The Mausingfield ushers in the era of the match-accurate build-it-yourself rifle.

State of the art manufacturing and high grade materials are used to make the Mausingfield right here in the USA.

The Mausingfield is not a Remington clone. It's a bolt action in a class by itself, derived from a comprehensive understanding of what a bolt action must do, and decades of both engineering and manufacturing experience.

At American Rifle Company, we only do best. We do the Mausingfield.



# AMERICAN RIFLE COMPANY

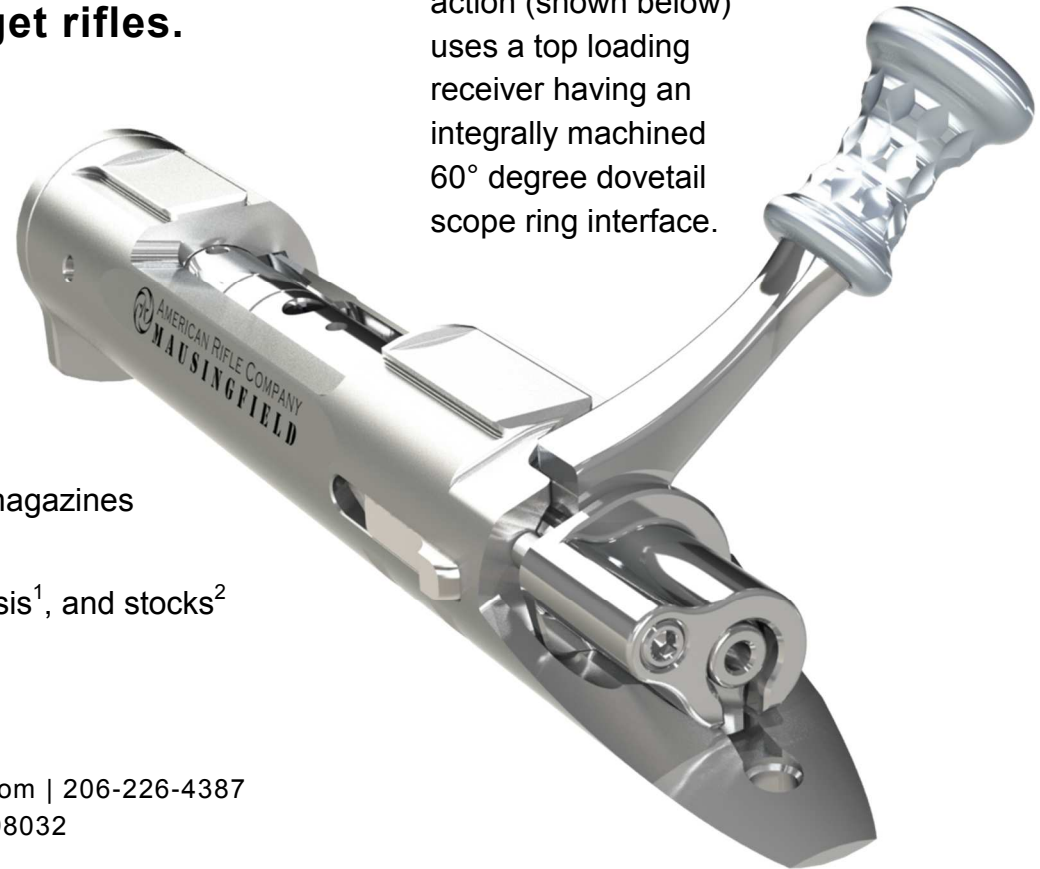
We engineer accuracy.

The **MAUSINGFIELD®** is the premium foundation for the finest tactical, hunting, and target rifles.

- ✓ Proudly engineered and manufactured in the USA
- ✓ Interchangeable bolt heads support multi-caliber rifles
- ✓ Toroidal bolt lugs do not require lapping
- ✓ Battle-proven Mauser 98 claw extractor
- ✓ Battle-proven M1903 Springfield inertial ejector
- ✓ Secure and interchangeable interlocking rail interface
- ✓ Ergonomically designed bolt knob
- ✓ Compatible with Alpha and Accuracy International CS magazines
- ✓ Compatible with Savage barrels and locknuts
- ✓ Compatible with Rem 700 triggers, trigger guards, chassis<sup>1</sup>, and stocks<sup>2</sup>
- ✓ Integral recoil lug
- ✓ Aerospace grade materials used throughout

[www.AmericanRifle.com](http://www.AmericanRifle.com) | [Sales@AmericanRifle.com](mailto:Sales@AmericanRifle.com) | 206-226-4387  
22604 58th Place South, Kent, WA 98032

The hunting version of the Mausingfield action (shown below) uses a top loading receiver having an integrally machined 60° degree dovetail scope ring interface.



<sup>1</sup>Because of the proprietary rail interface, the Mausingfield is not compatible with chassis designed to engage the top of a Remington M700 receiver or the top of a receiver of any other action.

<sup>2</sup>The ejection port of the Mausingfield extends further to the rear than does that of the Remington Model 700. And unlike the Remington, the Mausingfield has a bolt stop that protrudes from the side of the receiver. Therefore, slight alterations may have to be made to the stock in order to establish a tight and aesthetically pleasing fit.